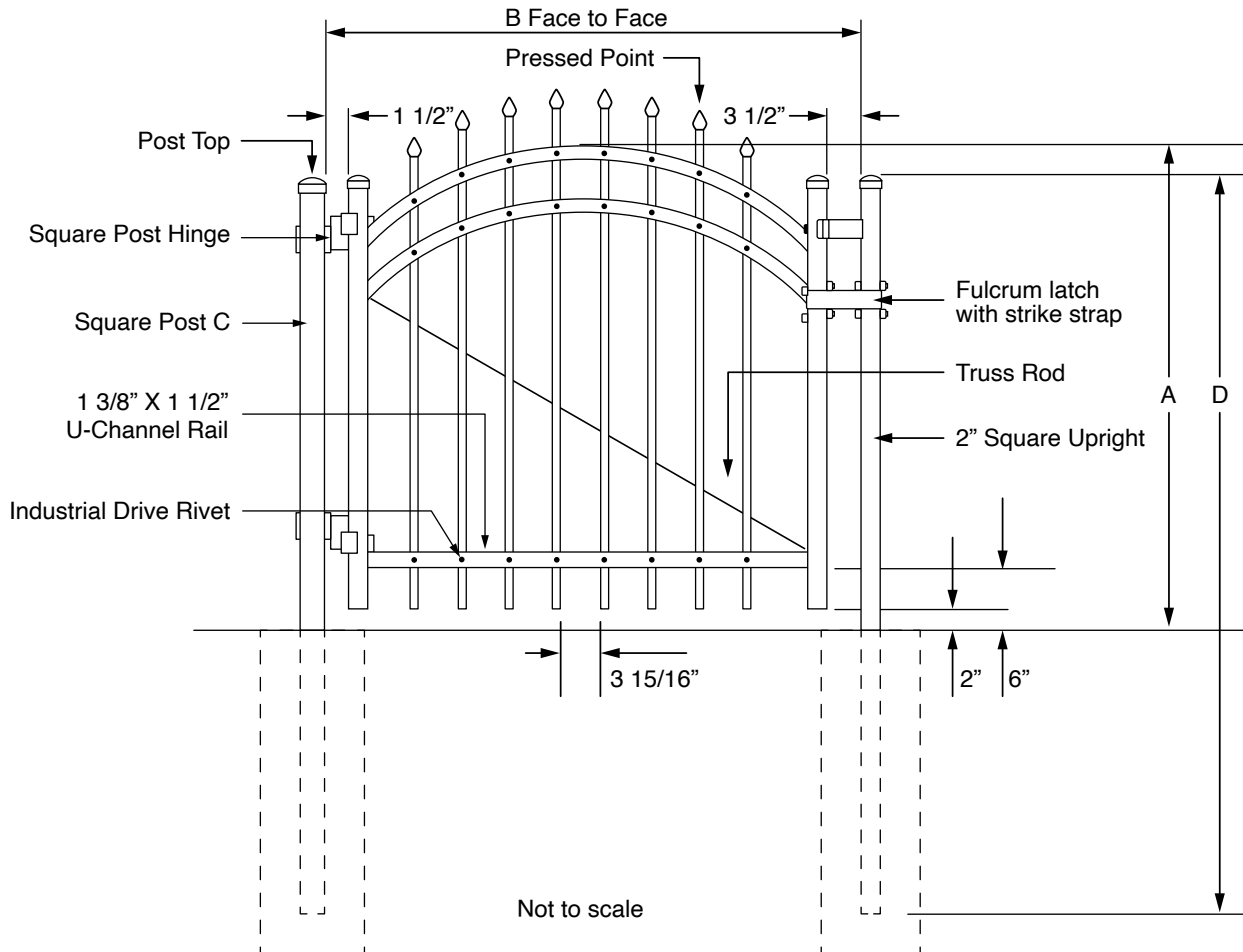


# IRON WORLD<sup>TM</sup>

Residential, Commercial & Industrial Fencing Solutions

9390 Davis Avenue  
 Howard County, MD 20723  
 Phone: (301) 776-7448  
 Toll Free: 1-866-310-2747  
 Fax: (301) 776-7677  
 www.ironworldfencing.com



<p>Nom Height (A)</p> <p>3' - 0"</p> <p>3' - 6"</p> <p>4' - 0"</p> <p>5' - 0"</p> <p>6' - 0"</p> <p>7' - 0"</p> <p>8' - 0"</p> <p>Custom heights available</p>	<p>Post Option (C)</p> <p>3" SQ x 12 GA</p> <p>4" SQ x 11 GA</p> <p>6" SQ x 3/16" Wall</p> <p>8" SQ x 1/4" Wall</p> <p>10" SQ x 1/4" Wall</p>	<p>Picket Option (E)</p> <p>3/4" SQ } 14 GA</p> <p>or } 16 GA</p> <p>1" SQ } 18 GA</p>	<p>A ___ " Nom Height</p> <p>B ___ " Face to face of posts</p> <p>C ___ " post size ___ gauge</p> <p>D ___ " post length</p> <p>E ___ " picket size ___ gauge</p>
--	---	--	---

1. Installation to be completed in accordance with manufacturer's specifications.
2. Do not scale drawings.
3. Specifications shown can be changed only by the manufacturer.
4. Footing width to be (4) x post width.

## MAVERICK<sup>TM</sup> I (INDUSTRIAL)

### Barcelona 3 Rail Arch Single Swing Gate