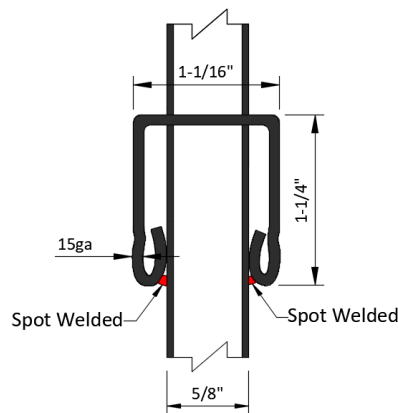


- NOTES:
1. GATE SHOWN WITH OUR SELF CLOSING STANDARD HARDWARE.
  2. OTHER GATE HARDWARE COULD CHANGE LATCH AND HINGE CLEARANCE.
  3. ALL HARDWARE SHIPPED LOOSE AND FIELD INSTALLED.



Steel Posts	
□	2" x 2" x 5'9" H
□	2" x 2" x 6'9" H
□	2" x 2" x 7'9" H
□	2" x 2" x 8'9" H

## MAVERICK™ SUPREME RESIDENTIAL STEEL

5H X 5W - MSS Canterbury Residential-3R Black - STEEL SWING GATE

PT# MSSRS-RGFT6060C3-BK