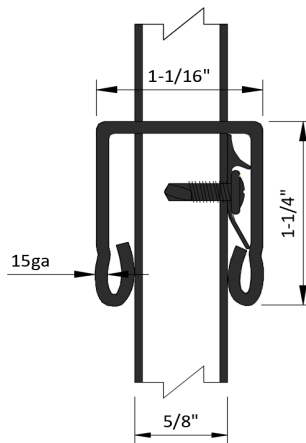


NOTES:

1. INSTALLATION TO BE COMPLETED IN ACCORDANCE WITH MANUFACTURERS SPEC.
2. DO NOT SCALE DRAWINGS.
3. SPECIFICATIONS SHOWN CAN BE CHANGED ONLY BY THE MANUFACTURER.
4. FOOTING WIDTH: (4) X POST WIDTH
5. FENCE SECTIONS USING 5/8" PICKETS WILL TOTAL 21 PICKETS PER SECTION.



Steel Posts	
□	2" x 2" x 5'9" H
□	2" x 2" x 6'9" H
□	2" x 2" x 7'9" H
□	2" x 2" x 8'9" H

MAVERIC K™ SUPREME

RESIDENTIAL STEEL

6H x 8W - MSS Residential Barcelona 3R Black - STEEL PANEL