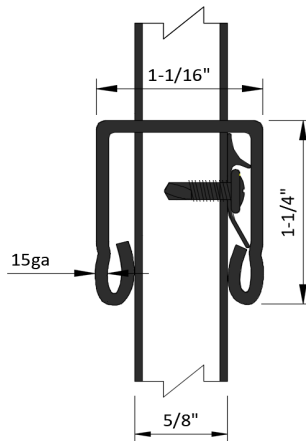


**NOTES:**

1. INSTALLATION TO BE COMPLETED IN ACCORDANCE WITH MANUFACTURERS SPEC.
2. DO NOT SCALE DRAWINGS.
3. SPECIFICATIONS SHOWN CAN BE CHANGED ONLY BY THE MANUFACTURER.
4. FOOTING WIDTH: (4) X POST WIDTH
5. FENCE SECTIONS USING  $\frac{5}{8}$ " PICKETS WILL TOTAL 21 PICKETS PER SECTION.



Steel Posts	
<input type="checkbox"/>	2" x 2" x 5'9" H
<input type="checkbox"/>	2" x 2" x 6'9" H
<input type="checkbox"/>	2" x 2" x 7'9" H
<input type="checkbox"/>	2" x 2" x 8'9" H

## MAVERIC K™ SUPREME

RESIDENTIAL STEEL

5H x 8W - MSS Residential Canterbury 3R Black - STEEL PANEL